

Pressure Relief Valves and Check Devices

RS3131-CD31

Application

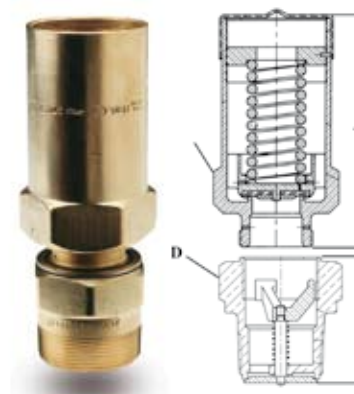
These external valves are designed for use as a primary relief valve on above ground domestic and small industrial bulk LPG containers. When used in conjunction with a Check Device (isolation valve) permits the exchange of the relief valve without the necessity of evacuating the container. Note: This action must be carried out by trained personnel carefully following our operating instructions.

Materials

Bodies	Brass
Relief Valve Seat Disc	Nitrile Rubber
Springs	Stainless Steel
	Coated Steel

Features

- Relief valves provide "pop action" performance.
- "Tell tale" hole is incorporated on the connection thread, which indicates the check is closed and the valve may be removed.
- A metal to metal make up on the check device allows for a "signal flow" of gas to act as a reminder that the container is unprotected when the valve is removed.
- Check device has generous flow channels with a low pressure drop for optimum performance.



CE

Ordering Information

Relief Valve Part #	Set Pressure (bar)	Used on Check Device	Relief Valve Inlet Connection	Overall Height „A“	Wrench Flats „B“	Flow Rating w/Check Device M3/min (air)
RS3131b15.7	15.7	CD31	¾" M.NPSM	85mm	46mm	48.9*
RS3131b17.2	17.2					51.9*
RS3131b17.65	17.65					53.1*
RS3132b15.7	15.7	CD32	1" M.NPSM	129mm	60mm	70.1*
RS3132b17.2	17.2					77.5*
RS3132b17.65	17.65					
RS3135b15.6	15.6	CD35	1 ¼" M.NPSM	141mm	68mm	123*
RS3135b17.2	17.2					118*
RS3136b16	16	CD36	M36x2 Metric M.	135mm	60mm	69.4**
RS3135b17	17					77.4**
RS3135b18	18					87.0**
RS3145b17	17	CD45	M45x2 Metric M.	139mm	68mm	182.7**

Check Device Part #	Container Connection	Inlet Connection	Overall Height „C“	Wrench Flats „D“
CD31	1 ¼" M.NPT	¾" F.NPSM	59mm	46mm
CD32	1 ¼" M.NPT	1" F. NPSM	59mm	46mm
CD35	2" M.NPT	1 ¼" F. NPSM	59mm	62mm
CD36	1 ¼" M.NPT	M36x2 Metric F.	58mm	52mm
CD45	2" M.NPT	M45x2 Metric F.	59mm	62mm

PED approved in accordance with the requirements of Directive 97/23/EC for pressure equipment.



REGO GmbH - Distribution Center Europe
 Industriestrasse 9, D-35075 Gladenbach, Germany
 Phone +49 (0)6462-9147-0, Fax -9147-29
 info@rego-europe.de · www.rego-europe.de